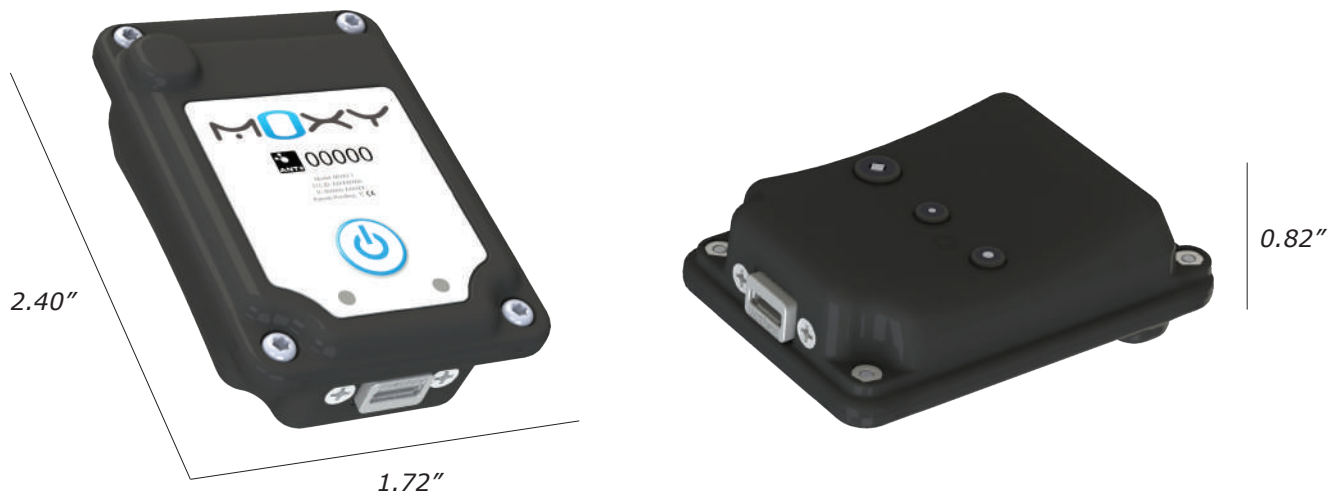


MOXY

MUSCLE OXYGEN MONITOR

WWW.MOXYMONITOR.COM



SPECIFICATIONS

Measurement	SmO ₂ (Muscle Oxygen Saturation) in the capillaries of muscle
Depth	Measures SmO ₂ through up to 0.5" (12mm) of skin and fat
Update Rate	New measurement every 2 seconds
Smoothing	None
Physical Size	2.40 x 1.72 x 0.82 inches 61 x 44 x 21 mm
Weight	1.7 ounces (48 grams)
Battery	Rechargeable 300 mAH lithium polymer
Wireless	ANT+ communication using muscle oxygen profile Optional to send to devices using the ANT+ heart rate profile Records data with or without an ANT+ data display device
Data Storage	Approximately 5 hours of data stored on the Moxy Sensor Downloadable via micro USB port
Environment	40°F to 95°F ambient conditions 15°C to 35°C ambient conditions Water and Sweat Resistant
PC Application	Downloads data from Sensor Sets time on sensor Sets data transmission mode
LED Indicators	Yellow and green indicator show battery charge status and sensor function
Attachment	Elastic strap holds sensor over muscle of interest and shields ambient light
Ambient Light	Sensor functions in direct sunlight with use of elastic strap
Motion Sensitivity	Sensor functions during all types of vigorous exercise